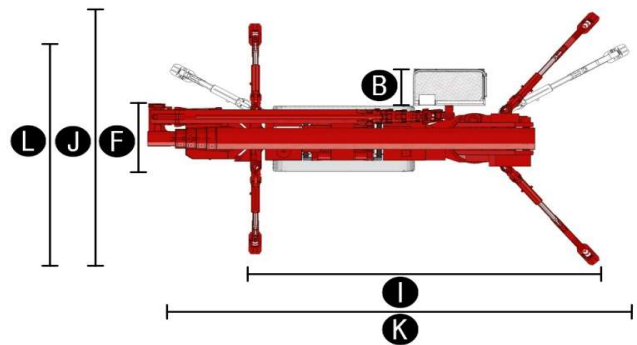
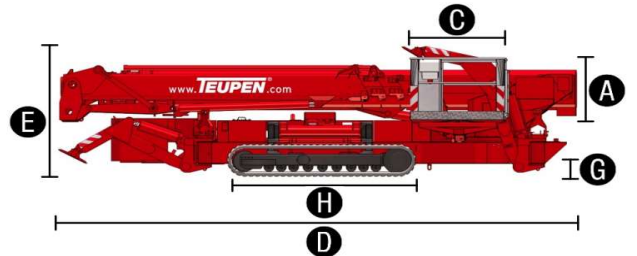


Specifications

LE50GTX

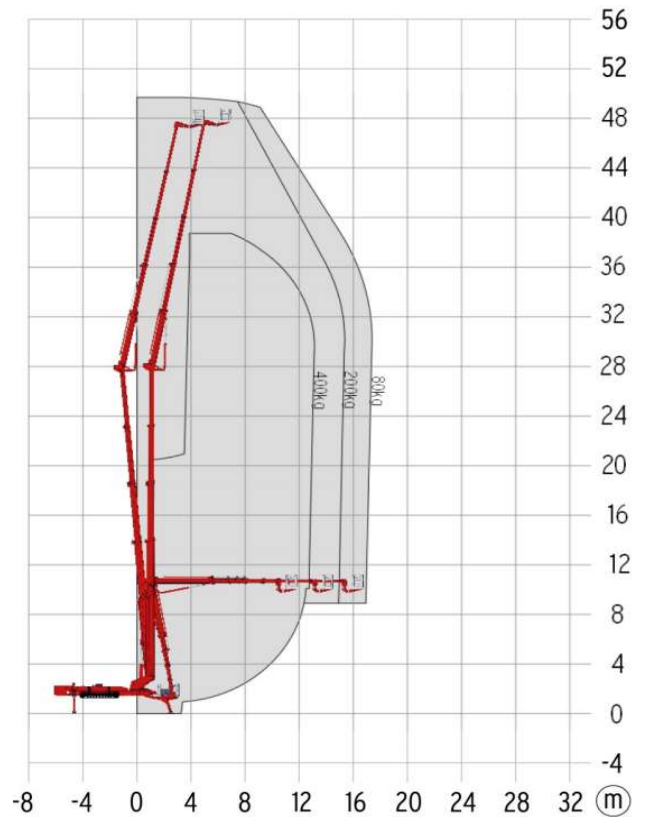
Measurements	Metric	US
Working height with 200kg (441 lbs)	49.70m	162 ft 6 in
Working height with 400kg (882 lbs)	38.50m	126ft 3¾ in
Horizontal outreach with 80kg (176 lbs)	17.40m	57 ft 1 in
Horizontal outreach with 200kg (441 lbs)	15.20m	49 ft 1 in
Horizontal outreach with 400kg (882 lbs)	13.00m	42 ft 7¾ in
Up and over clearance, max.	26.50m	86 ft 11½ in
Platform height (A)	1.10m	3 ft 7 in
Platform length (B)	0.80m	2 ft 8 in
Platform width (C)	1.50m	4 ft 11 in
Length, overall (D)	8.45m	27 ft 9 in
Height, travel position (E)	1.98m	6 ft 6 in
Width, minimal overall width (F)	1.58m	5 ft 3 in
Max. ground clearance (G)	1.20m	47 in
Track (L x W) (H)	3m x 0.4m	9ft 10in x 1ft 3¾in
Length outrigger footprint standard (I)	7.60m	24 ft 11 in
Width outrigger footprint standard (J)	5.65m	18 ft 2½ in
Length footprint one side narrow (K)	9.80m	32 ft 2 in
Width footprint one side narrow (L)	4.20m	13 ft 9¾ in
Outrigger plate (L x W)	0.52m x 0.27m	20¾in x 10¾in



Productivity	Metric	US
Basket capacity	400 kg	882 lbs
Movable Jib	-	-
Basket rotation	180°	180°
Turret rotation	450°	450°
Turret rotation, one side narrow	120°	120°
To be jacked up on ground slope of	16.7°/30%	16.7°/30%
Height and width track adjustment	50/32 cm	19¾/12½ in
Gradeability max.	16.7°/30 %	16.7°/30 %
Slop angle	16.7°/30 %	16.7°/30 %
Travel speed	1.6 km/h	0.9 mph

Weight	Metric	US
Total weight	13600 kg	29,983 lbs
Live load in travelling position	4.9 kN/m ²	102.3 psf
Live load in working position	4.0 kN/m ²	98.5 psf
Max. point load per outrigger plate	81.0 kN	18,210 lbf

Power	Metric	US
Standard power sources (Electric & combustion engine)	1) Diesel: Kubota V 2203-M, (36 kW, 49 hp) 2) Electric motor: 400 V, 15.7 A, 7.5 kW	
Fuel tank capacity Diesel engine	80.0 l	21.1 gal



Features



Track Chassis

- Powerful track drive with hydraulic braking system
- Precise manoeuvring over sensitive electrohydraulic radio remote control
- Black rubber tracks with specially arranged profile providing optimum grip
- Hydraulically height- and width-adjustable track chassis

Stabilisation

- Fully hydraulic, automatic leveling system with constant outrigger setup monitoring
- Variable stabiliser/outrigger system with one-side narrow setup option

Boom System

- 5-section steel lower telescopic boom on wear-resistant sliding blocks
- Reliable 5-section steel and aluminium upper boom on wear-resistant rollers
- Height Cut-off system for articulating-telescopic boom with 2 setpoints (first fixed at 45m)
- All functions are available from one radio remote control panel
- Electric-proportional radio remote controls with intuitive operator guidance
- Robust, lockable control panel with integrated operation and display function
- Self-levelling platform with electro-hydraulic levelling system
- 180° basket rotation
- Boom rotation via high-performance slew ring, worm gear and hydraulic motor
- Basket changing system

Power Sources

- 400 V electric motor
- 4-cylinder Kubota V 2203-M Diesel engine, silenced (35,9 kW/48,1 hp)
- basket

Standards Compliance

- 2006/42/EC-Machinery directive (Harmonised standard EN280:2001 + A2:2009); 2004/108/EC (EMC); 2000/14/EC (Noise emission directive - outdoor)

Productivity, Safety, Quality

- 230 V (EU) double power outlet in the basket
- Ergonomically shaped basket with eyelets for safety belts and tool tray
- Lockable storage box for radio remote control
- High-quality paint in RAL 3020 (red)
- Electrically regulated emergency control system
- Cables and hoses are safely routed through the boom structure
- Biodegradable hydraulic oil
- Lock valves - hydraulic return valves directly on all hydraulic cylinders
- Relief valves protecting the hydraulic system from too high pressures and hoses
- Hour meter
- Fuzzy control technology

Accessories

- 4 outrigger pads (1090 x 390 x 40 mm/3ft 7in x 1ft 4in x 1½in), PVC, 14.8kg/33lbs
- Track mats (2000 x 1000 x 15 mm/6ft 6in x 3ft 3in x ½in), extra durable rubber
- Safety harness



NATIONWIDEHIRE
BUILDING MOMENTUM

Contact To Hire

01329 226 868

enquiries@nationwidehire.co.uk